

# SCHEMATICS

# GROUP 22

19	THRU	19K	BLUE-RED STRIPE	37A	37	BLACK-YELLOW STRIPE		
		21	YELLOW	53B	53A	53	BLACK-BLUE STRIPE	
		25	BLACK-ORANGE STRIPE	54C	54B	54A	54	GREEN-YELLOW STRIPE
						●	SPLICE	

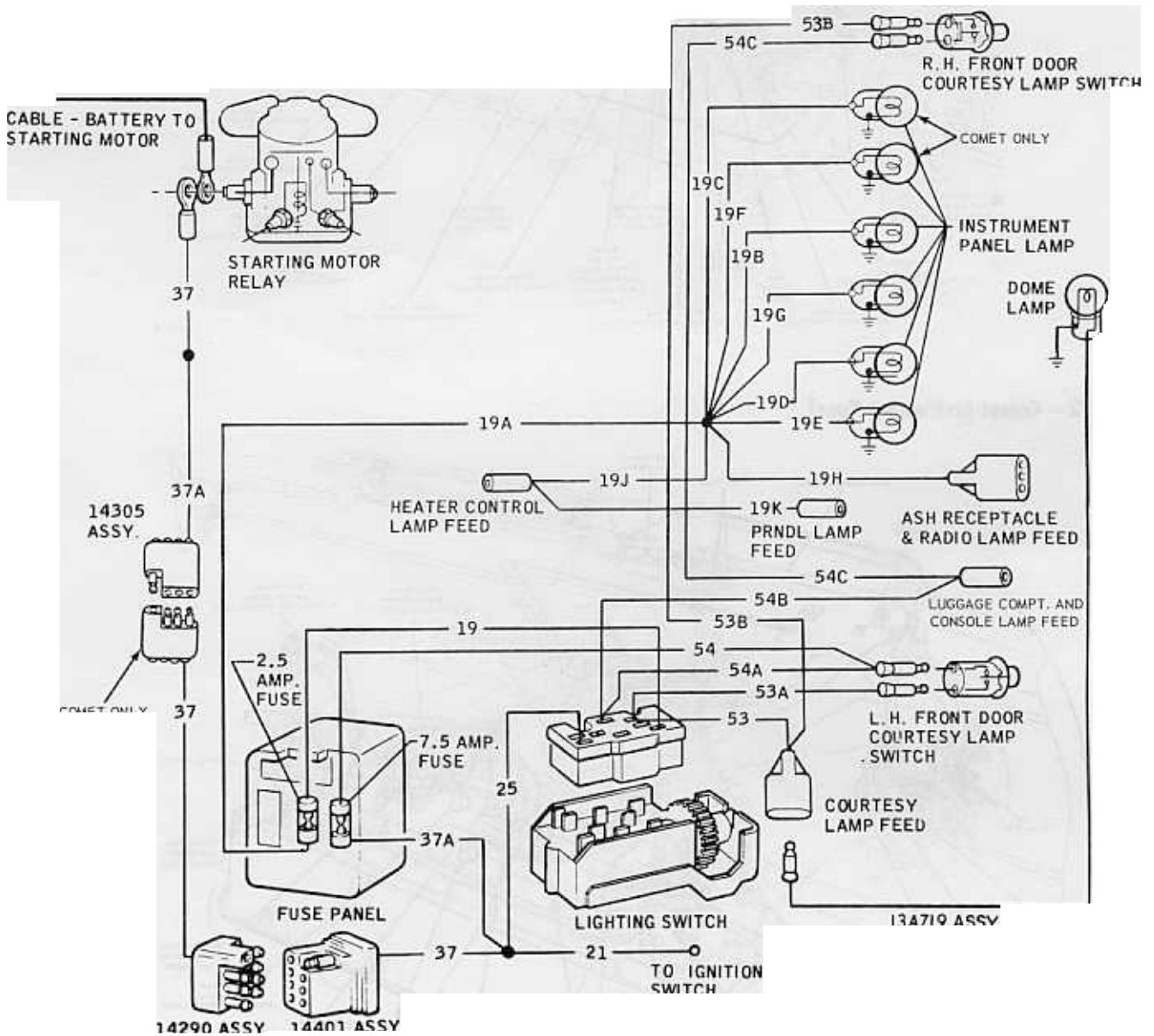


FIG. 1—Interior Lighting

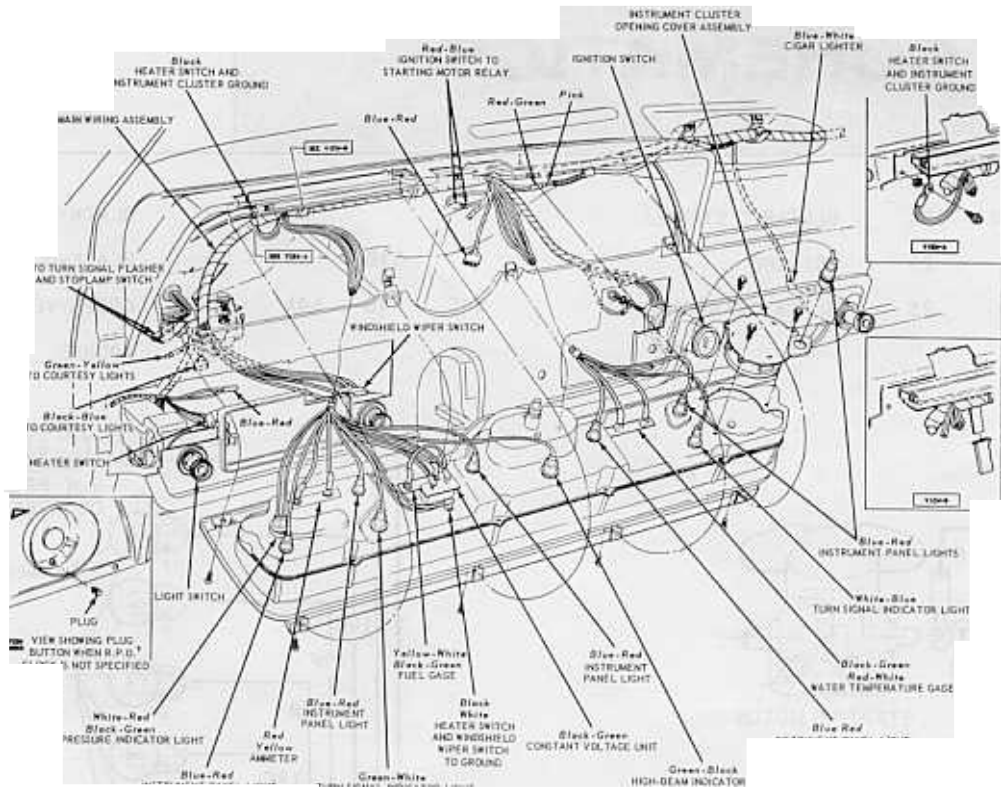


FIG. 2—Comet Instrument Panel

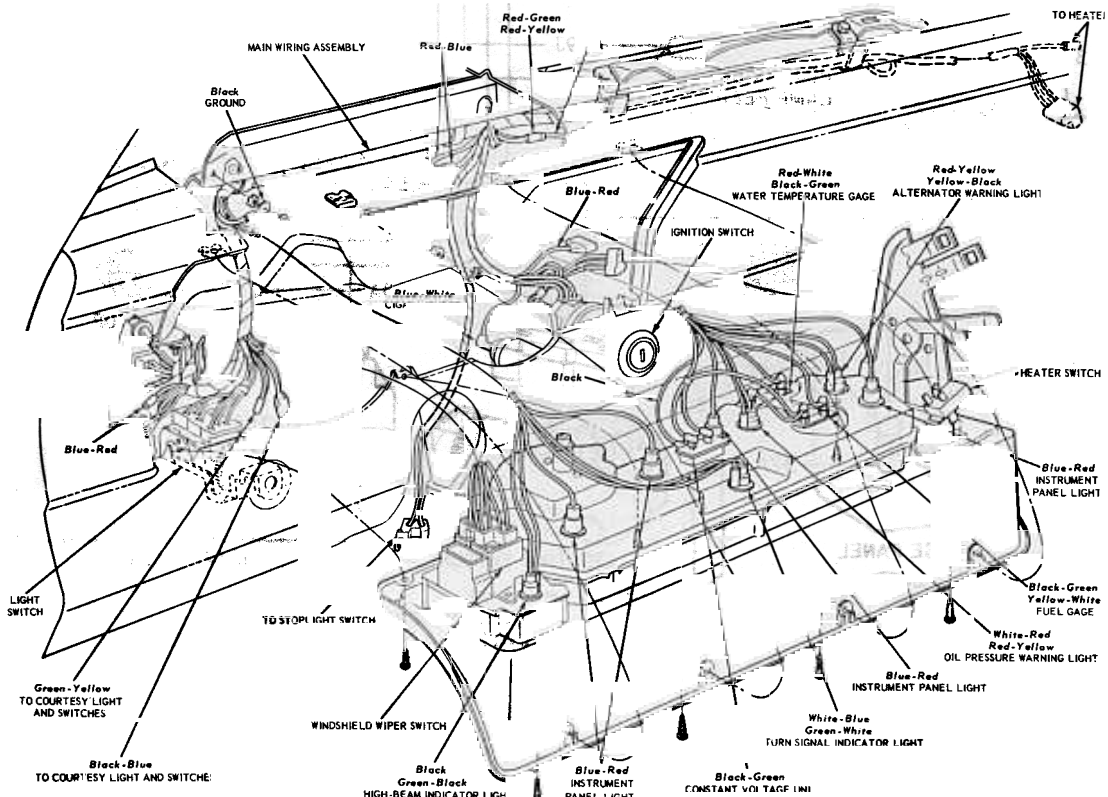


FIG. 3—Falcon Instrument Panel

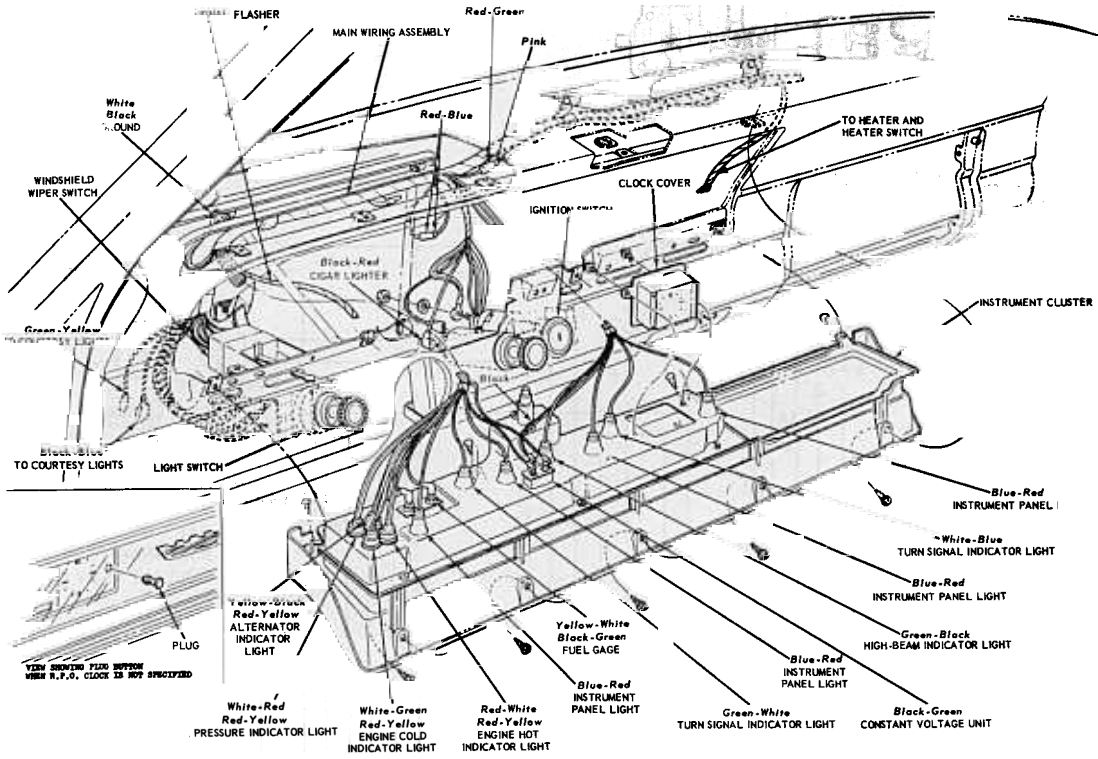


FIG. 4—Fairlane Instrument Panel

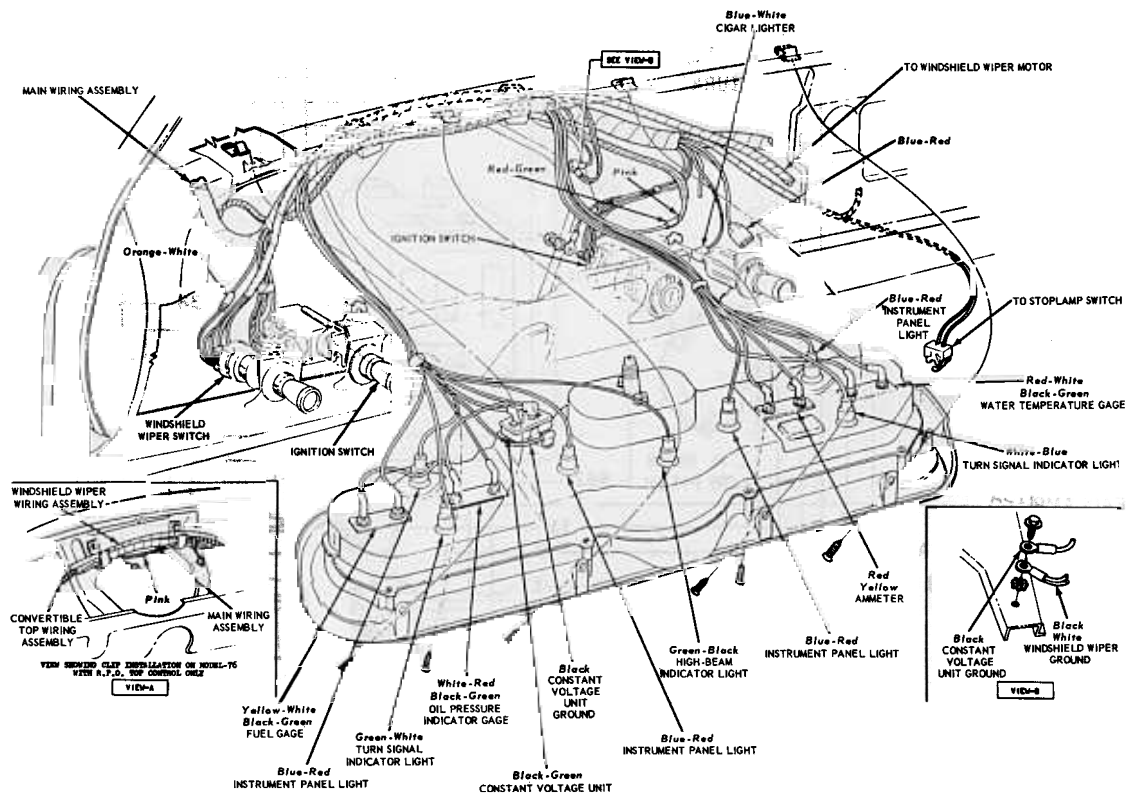


FIG. 5—Mustang Instrument Panel

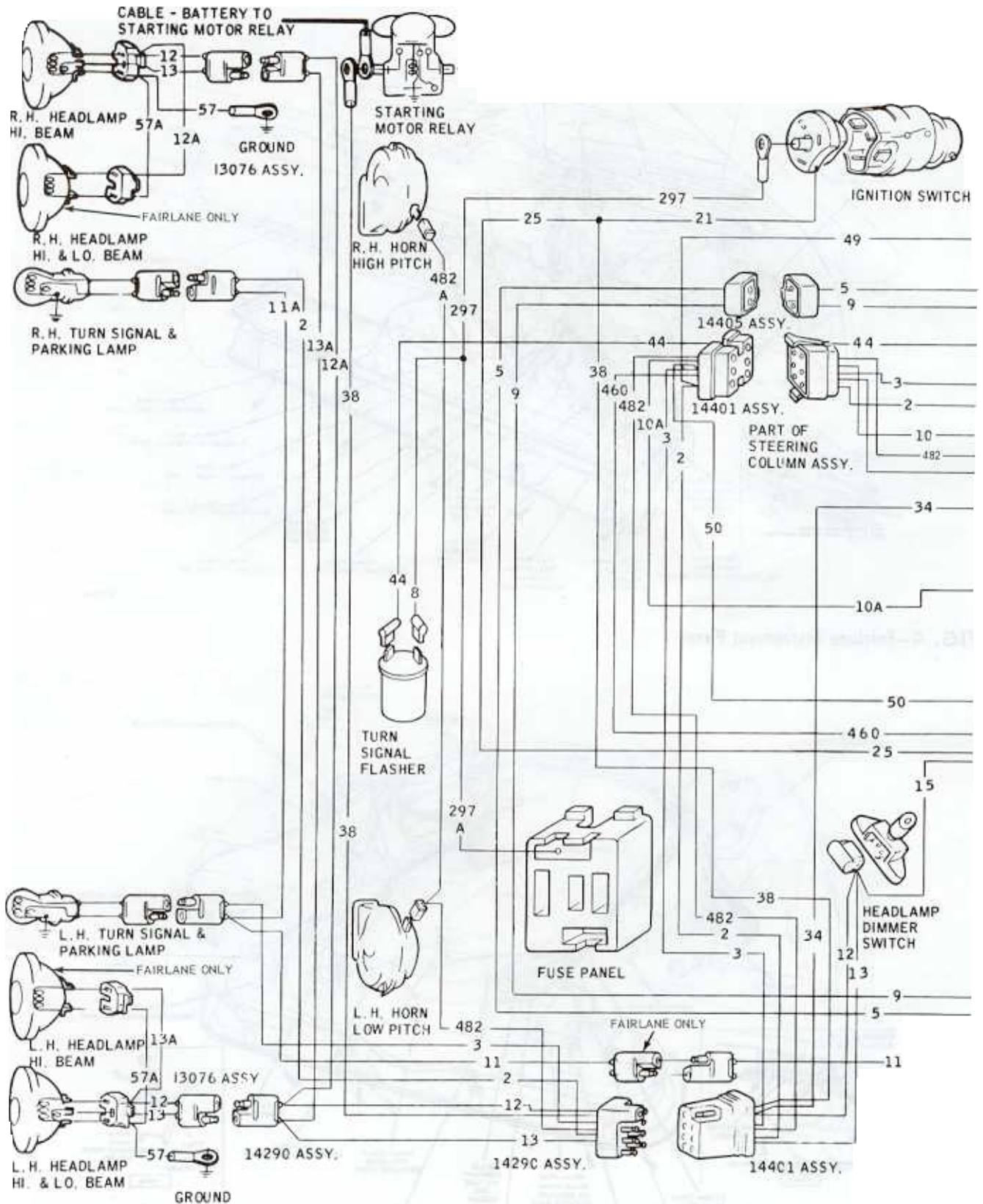


FIG. 6—Exterior Lighting, Turn Signals and Horns—Except Comet

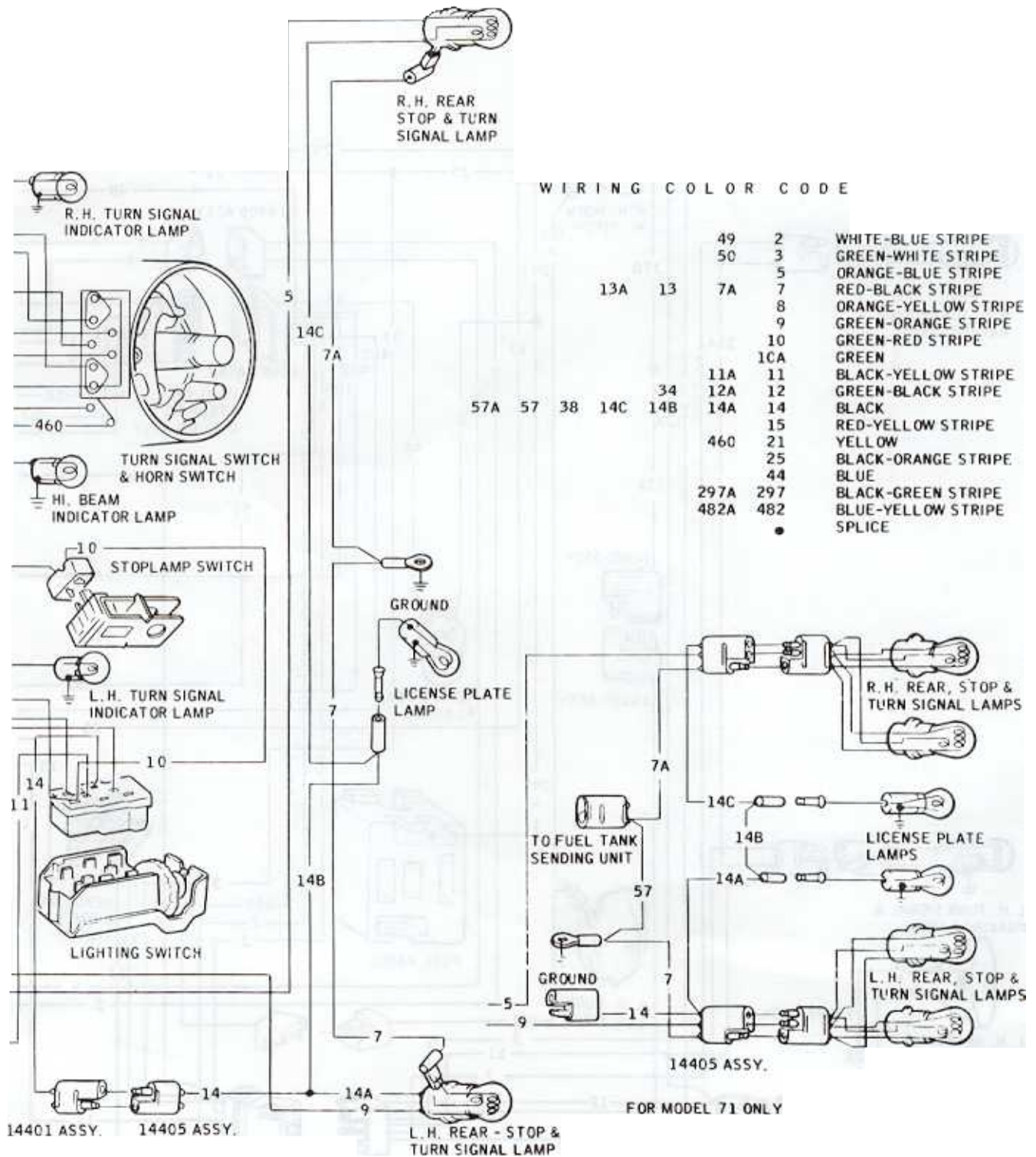
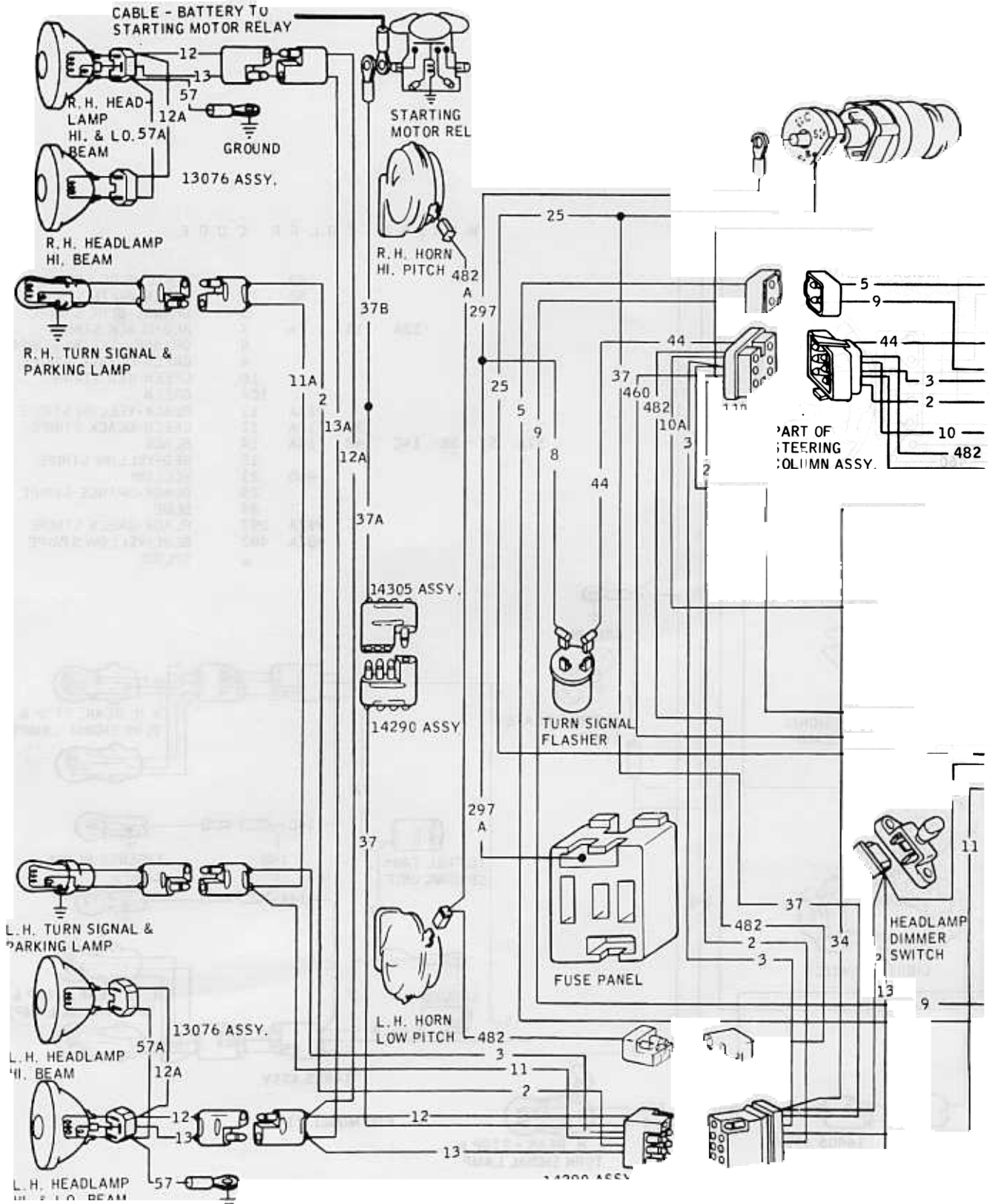


FIG. 6—Exterior Lighting, Turn Signals and Horns—Except Comet (Continued)



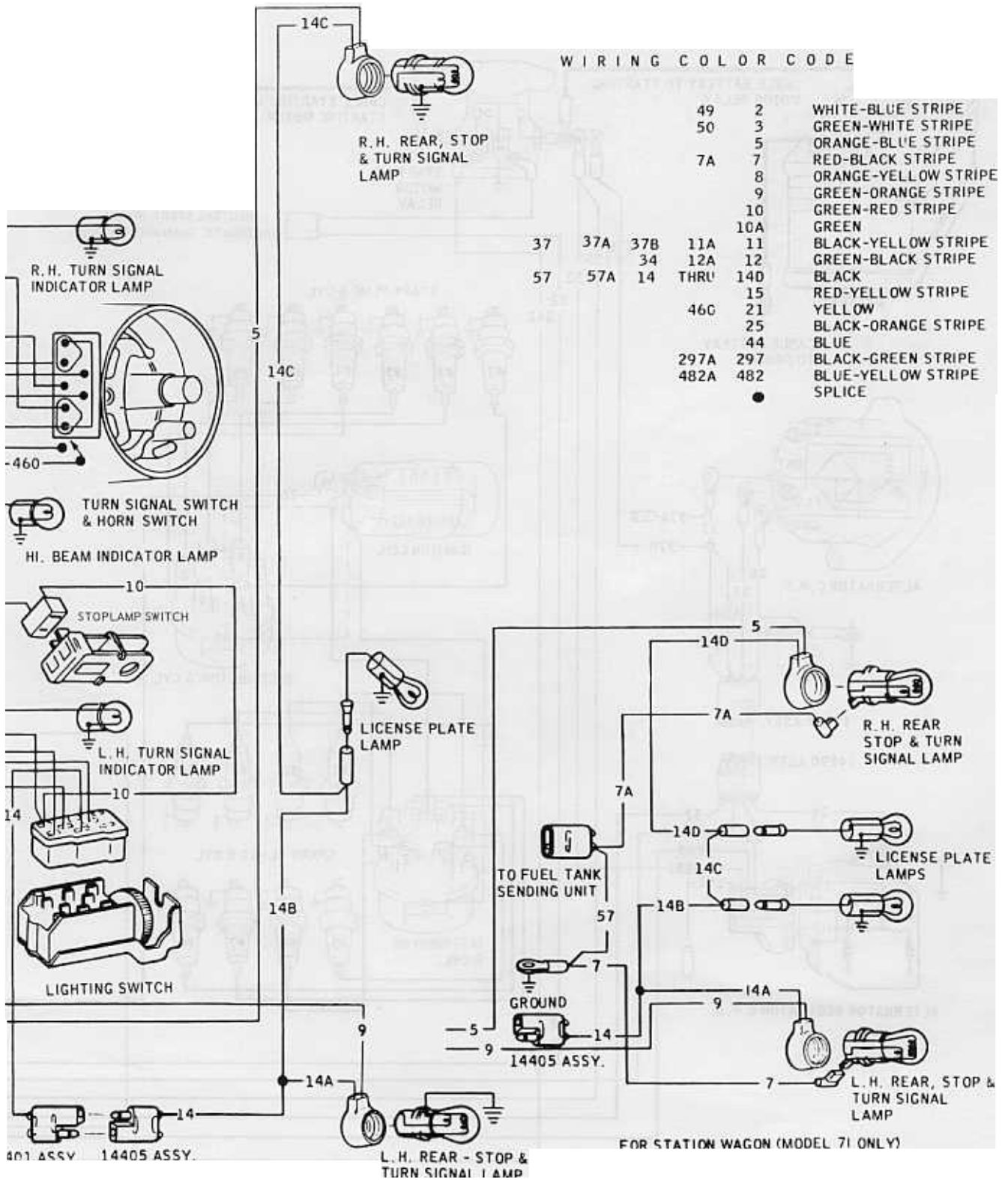


FIG. 7—Exterior Lighting, Turn Signals and Horns—Comet (Continued)

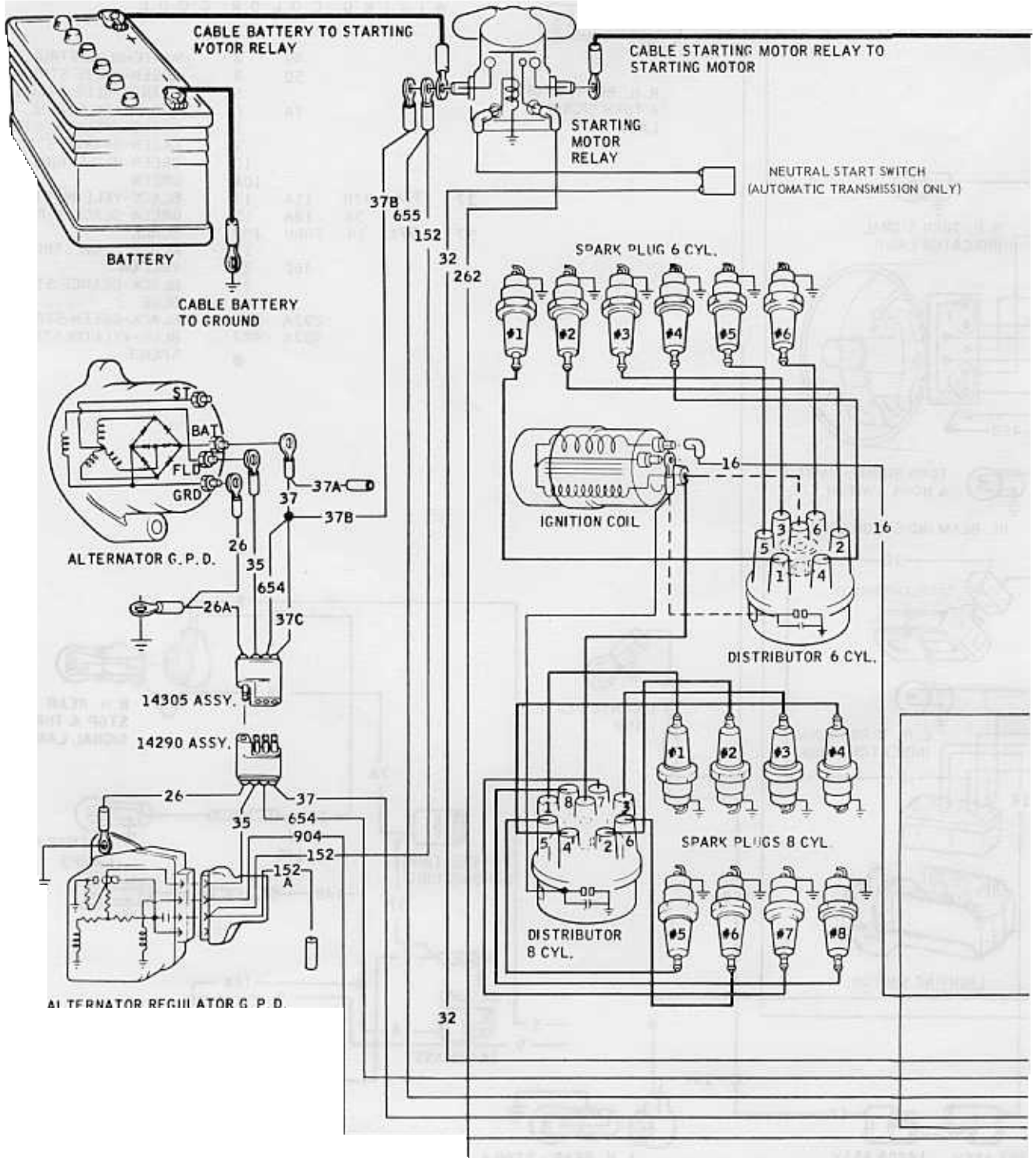


FIG. 8—Ignition, Starting, Charging and Gauges



WIRING COLOR CODE

16B	16	RED-GREEN STRIPE			
	16A	PINK			
654	152A	152	21	YELLOW	
	26A	26		BLACK-RED STRIPE	
	29			YELLOW-WHITE STRIPE	
30C	30B	30A	30	BLACK-GREEN STRIPE	
			31	WHITE-RED STRIPE	
			32A	32	RED-BLUE STRIPE
			35	WHITE	
37C	37B	37A	37	BLACK-YELLOW STRIPE	
			39	RED-WHITE STRIPE	
			57	BLACK	
			262	BROWN	
297A	297			BLACK-GREEN STRIPE	
			655	RED	
			904	GREEN-RED STRIPE	
			640	RED-YELLOW STRIPE	
			●	SPLICE	

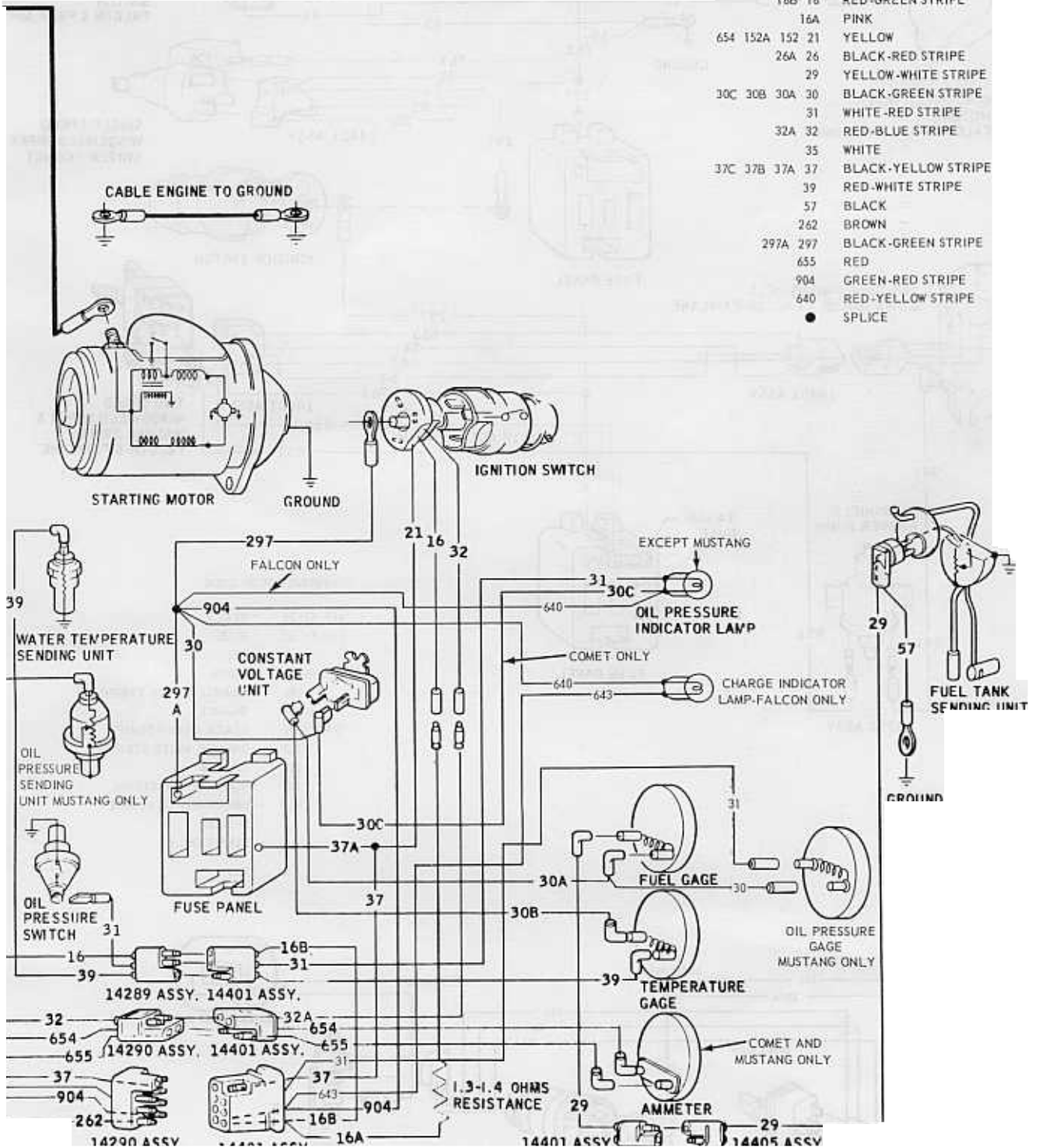


FIG. 8—Ignition, Starting, Charging and Gauges (Continued)

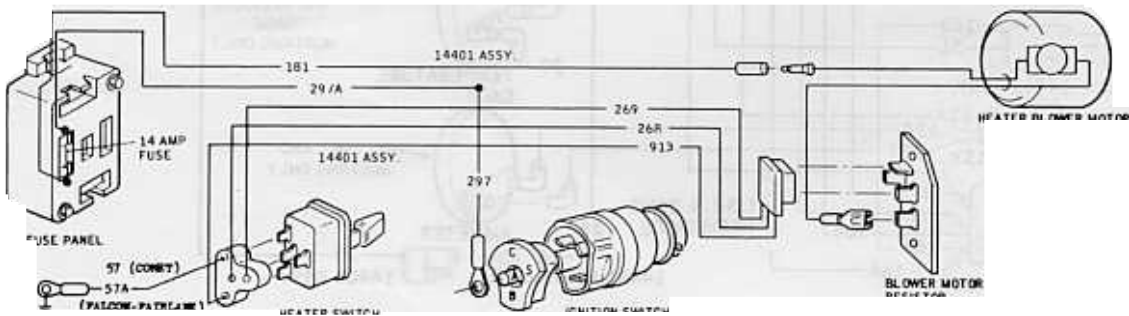
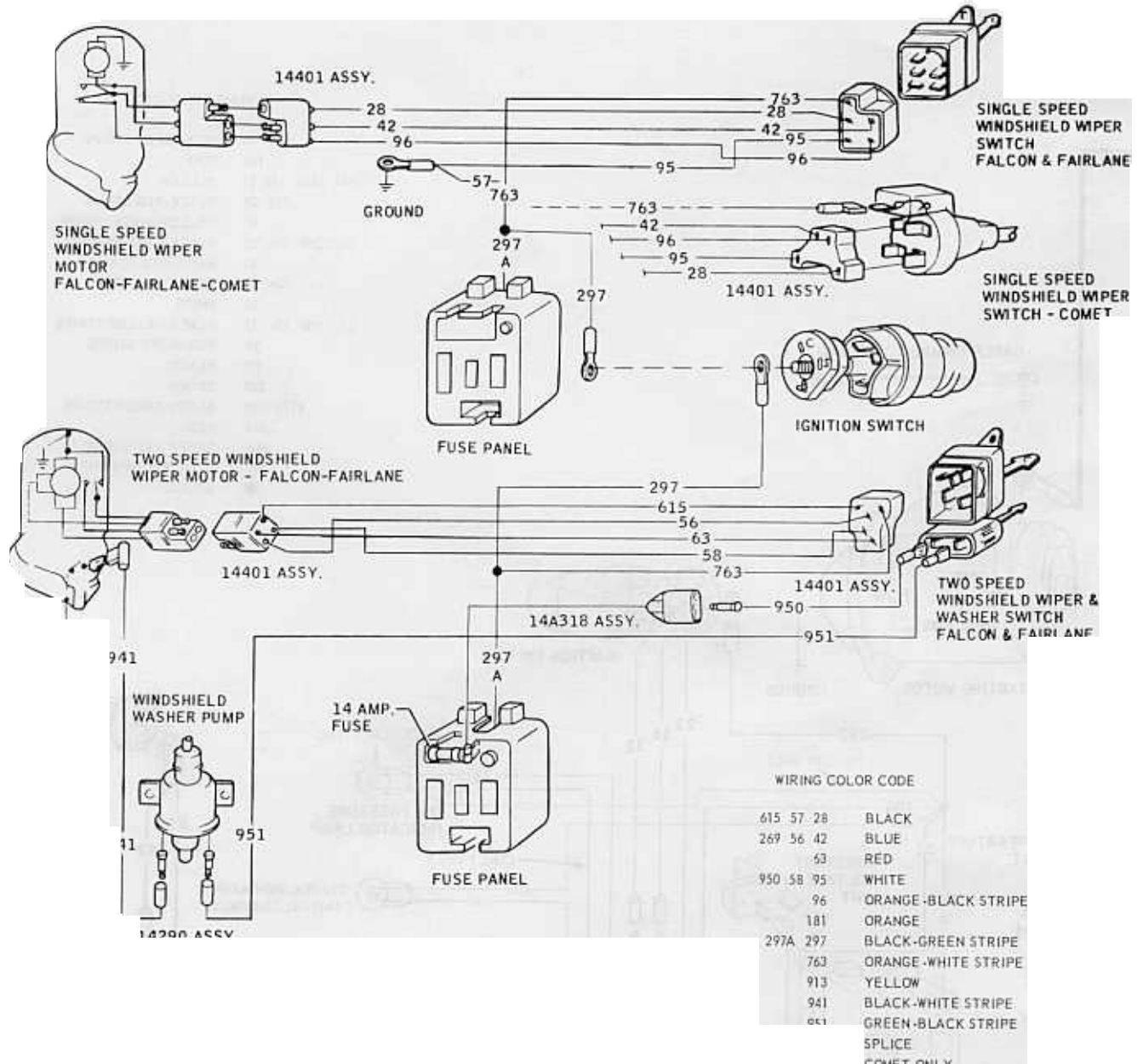


FIG. 9—Windshield Wipers and Heater

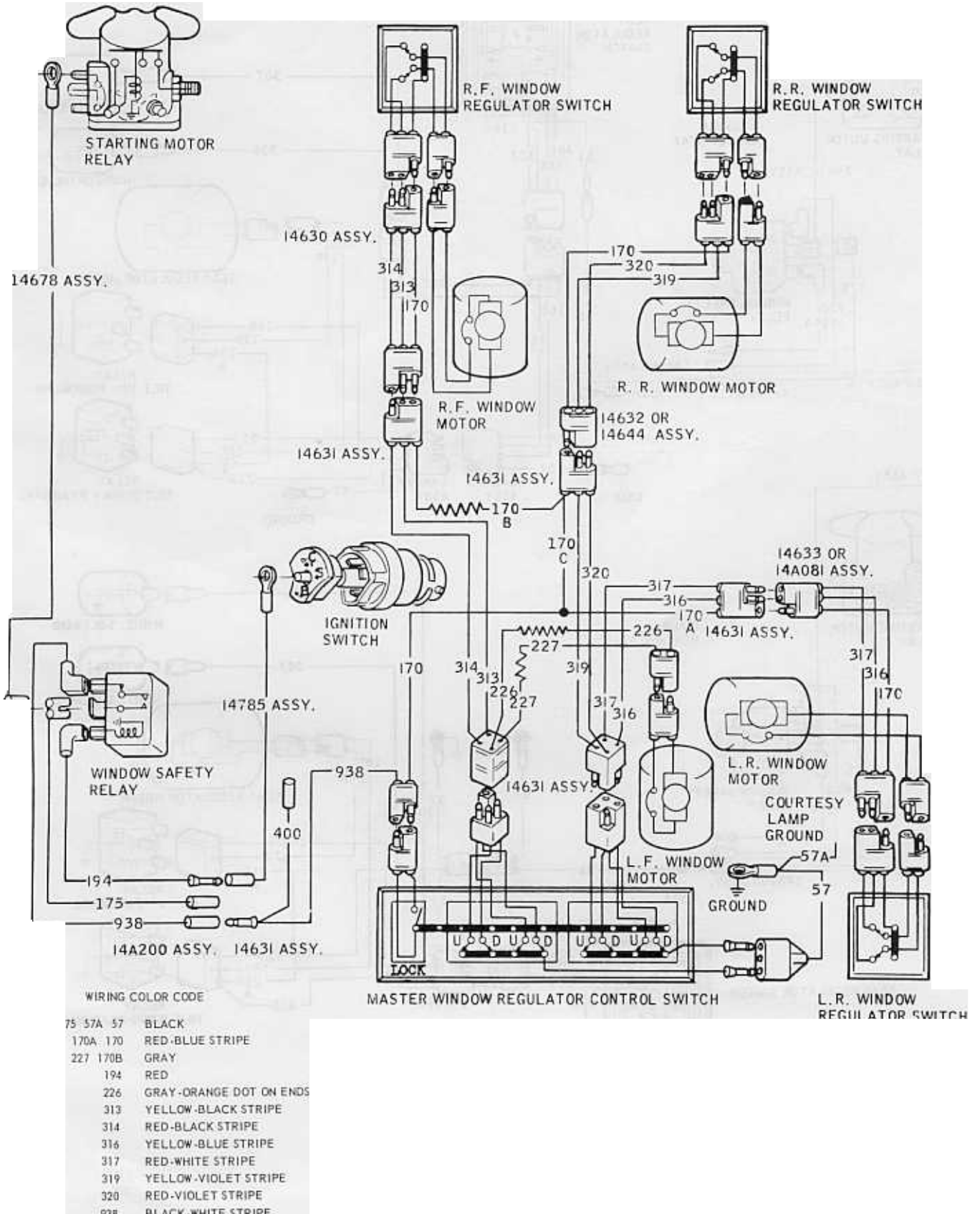


FIG. 10—Comet Power Windows

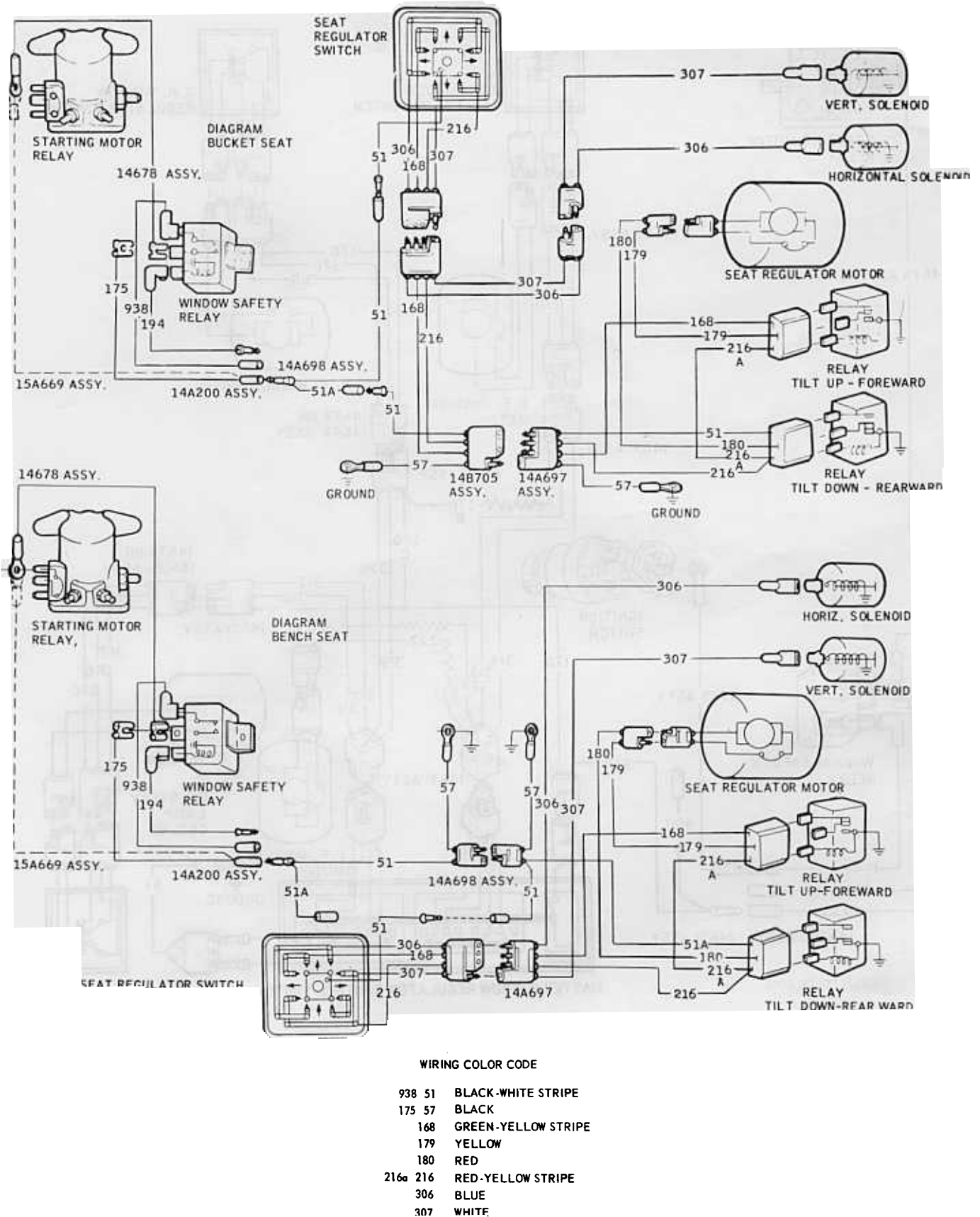


FIG. 11—Comet 4-Way Power Bench and Bucket Seat